



# Au J1708 Cable with DB9 Female Connector and 6-way Round Threaded Plug (Part#: CBL-J1708-01)

Rev. A  
July 2010

Au Group Electronics J1708 Cable ((Part#: CBL-J1708-01) equipped with a DB9 female connector on one end and a 6-way round threaded Plug (e.g. Deutsch part #: HD16-6-12S) on the other end.

The 6 pin Deutsch connector side can be connected to any vehicles (e.g. trucks and school buses) equipped with 6 pin diagnostic connectors. Power, Ground, J1708+, and J1708- are connected from / to the vehicle via this Deutsch connector.

The DB9 female connector can be connected with Au Group Electronics J1708 devices. It will supply power, ground, J1708+, and J1708- to Au Group Electronics developed J1708 devices.

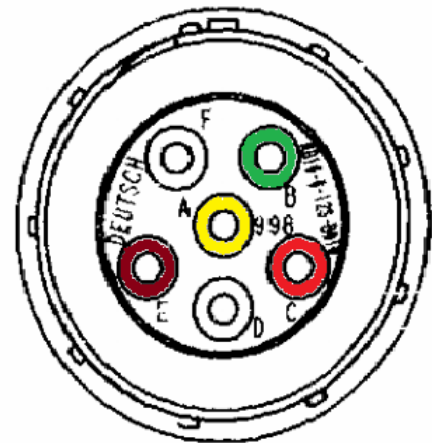
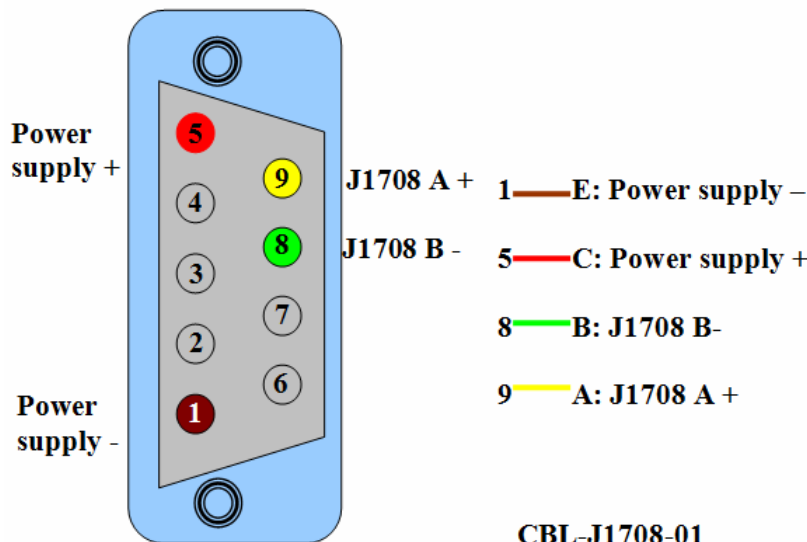


Figure 1 CBL-J1708-001

### Specification:

- Maximum cable length: 3 feet
- Weight: 135 gram
- Maximum current: 10A (continuous)
- Maximum voltage: ≤ 60V DC, 25V AC (per SAE J1128)

### Pin out and wire diagram:



CBL-J1708-01

Figure 2 Pin-out and wire connection